

Compact, direct machine-mountable mist collectors designed to collect, filter, and reclaim mist generated from machines using oil-based, synthetic, semi-synthetic, or water-soluble coolants.

- Efficient, compact design handles mist and smoke applications from 100 - 1000 cfm (170 - 1699 m<sup>3</sup>/h)
- Three stages of filtration for high filtration efficiency and optimum filter life
- Available with high performance in-cover or in-line prefilters for removal of swarf and large chips and in-cover impingers for applications with heavy concentrations of fine mist
- High collection efficiency of 98% on 1.0 µm increasing to 99.97% at 0.3 µm with optional fourth stage HEPA filter
- Direct-mount capability minimizes ductwork
- Recirculation of clean air eliminates the need for costly make-up air
- Provides a cleaner work environment for maximum productivity
- Helps support OSHA Clean Air Standards

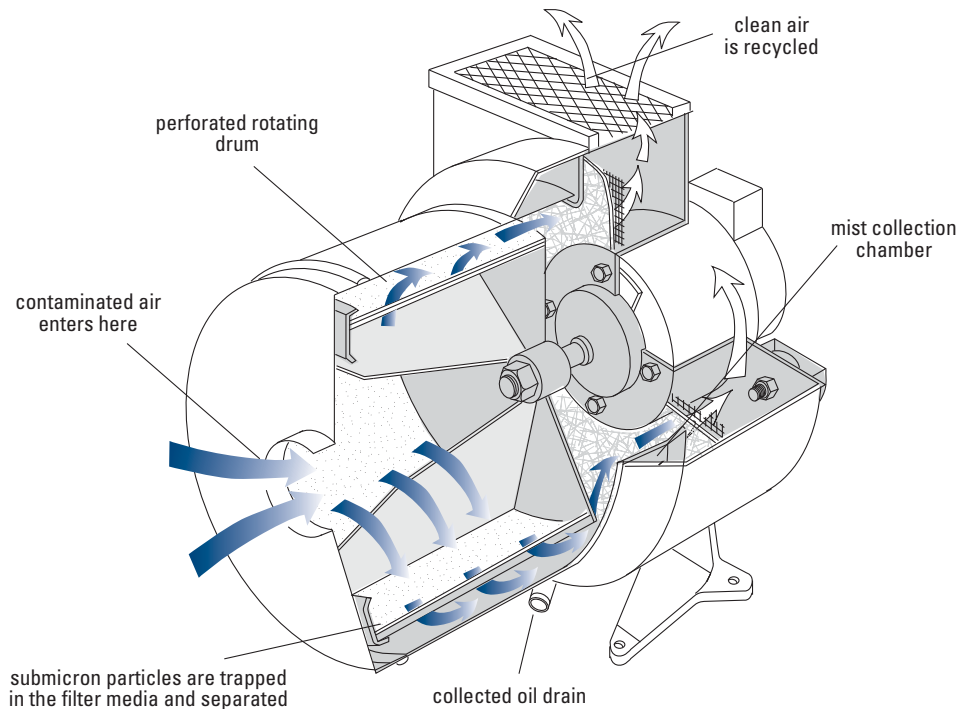


**E-500**



**E-300 with HEPA**

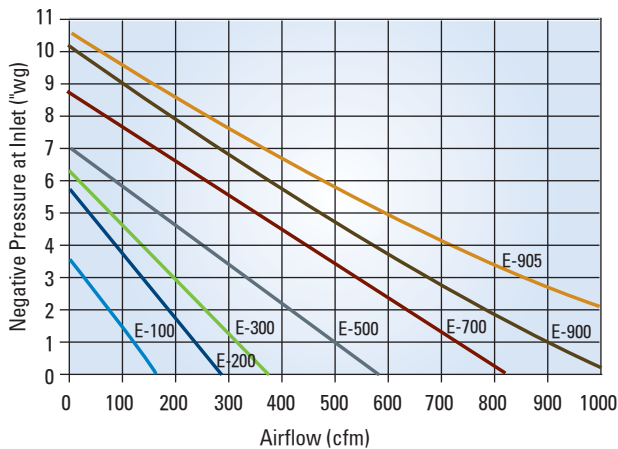
## OPERATIONAL EXPLANATION



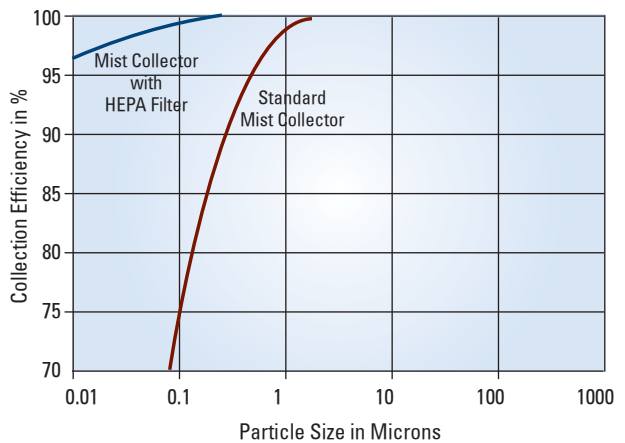
- Inexpensive, throwaway filter liners reduce maintenance costs
- Sturdy, compact, 16-gauge steel encasement is tough and solid for harsh industrial environments
- Optional HEPA and carbon filters are available on all models

## PERFORMANCE SELECTIONS

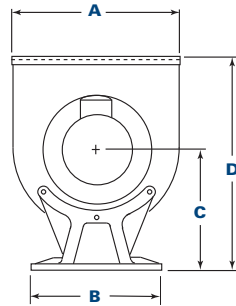
**AIRFLOW AT 60 HZ - 3450 RPM**



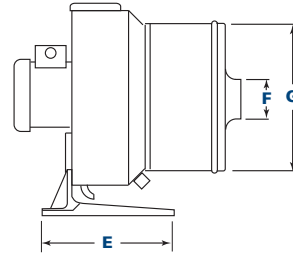
**PARTICLE SIZE VS. COLLECTION EFFICIENCY**



# DIMENSIONS & SPECIFICATIONS



Front View



Side View

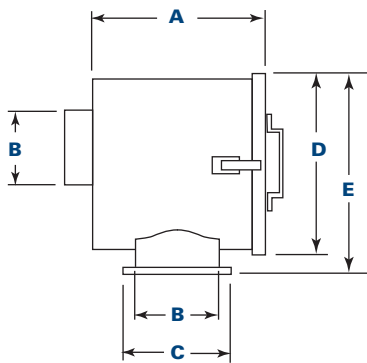
Model	Nominal Airflow*		Motor (hp)	Dimensions***														Sound Level dB(A)†	Shipping Weight	
	cfm @1TSP	m³/h @1TSP		A		B		C		D		E		F		G			lb	kg
				in	mm	in	mm	in	mm	in	mm	in	mm	in	mm	in	mm			
E-100	100	170	0.5	14.9	378.5	11.5	292.1	11.5	292.1	19.4	492.8	11.5	292.1	3.9	99.1	14.5	368.3	70	125	56.7
E-200	200	340	0.5	14.9	378.5	11.5	292.1	11.5	292.1	19.4	492.8	11.5	292.1	3.9	99.1	14.5	368.3	70	125	56.7
E-300	300	510	1	17.1	434.3	11.5	292.1	12.3	312.4	21.4	543.6	11.5	292.1	3.9	99.1	14.5	368.3	72	145	65.8
E-500	500	849	1	17.1	434.3	11.5	292.1	12.3	312.4	21.4	543.6	11.5	292.1	5.9	149.9	14.5	368.3	72	145	65.8
EA-700	700	1189	3	20.8	528.3	11.5	292.1	12.3	312.4	23.2	589.3	11.5	292.1	5.9	149.9	18.3	464.8	74	190	86.2
EA-900	900	1529	3	20.8	528.3	11.5	292.1	12.3	312.4	23.2	589.3	11.5	292.1	5.9	149.9	18.3	464.8	74	190	86.2
EA-905	1000**	1699**	3	20.8	528.3	11.5	292.1	12.3	312.4	23.2	589.3	11.5	292.1	5.9	149.9	18.3	464.8	76	190	86.2

\* Based on clean filters

\*\* 1,000 cfm @ 2" (28.3 m³/m @ 50.8mm) External Static Pressure (ESP).

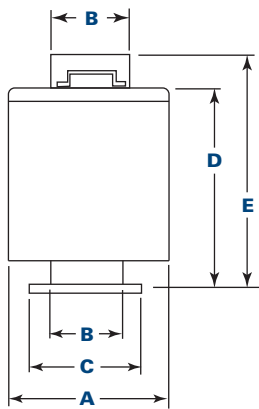
\*\*\* Dimensions do not include HEPA option.

† The actual measured sound level will vary, depending on background noise and room conditions.



Horizontal Prefilter Trap

Model	Dimensions - Horizontal									
	A		B		C		D		E	
	in	mm	in	mm	in	mm	in	mm	in	mm
E-100	9.1	231.1	3.9	99.1	6.0	152.4	9.1	231.1	10.0	254.0
E-200	9.1	231.1	3.9	99.1	6.0	152.4	9.1	231.1	10.0	254.0
E-300	9.1	231.1	3.9	99.1	6.0	152.4	9.1	231.1	10.0	254.0
E-500	12.1	307.3	5.9	149.9	8.0	203.2	12.1	307.3	13.0	330.2
EA-700	12.1	307.3	5.9	149.9	8.0	203.2	12.1	307.3	13.0	330.2
EA-900	12.1	307.3	5.9	149.9	8.0	203.2	12.1	307.3	13.0	330.2
EA-905	12.1	307.3	5.9	149.9	8.0	203.2	12.1	307.3	13.0	330.2



Vertical Prefilter Trap

Model	Dimensions - Vertical									
	A		B		C		D		E	
	in	mm	in	mm	in	mm	in	mm	in	mm
E-100	9.1	231.1	3.9	99.1	6.0	152.4	10.8	274.3	11.8	299.7
E-200	9.1	231.1	3.9	99.1	6.0	152.4	10.8	274.3	11.8	299.7
E-300	9.1	231.1	3.9	99.1	6.0	152.4	10.8	274.3	11.8	299.7
E-500	12.3	312.4	5.9	149.9	8.0	203.2	14.1	358.1	15.5	393.7
EA-700	12.3	312.4	5.9	149.9	8.0	203.2	14.1	358.1	15.5	393.7
EA-900	12.3	312.4	5.9	149.9	8.0	203.2	14.1	358.1	15.5	393.7
EA-905	12.3	312.4	5.9	149.9	8.0	203.2	12.1	358.1	13.0	393.7

## STANDARD FEATURES & AVAILABLE OPTIONS

COLLECTOR DESIGN †	STD	OPT
Heavy-Gauge Steel Construction	X	
Three Filtration Stages	X	
TEFC Motor	X	
Drain Kit	X	
3-Phase, 50-60 Hz Motor	X	
1-Phase, 60 Hz Motor		X
Flexible Inlet Hose Kit		X
Pedestal— 6' x 6" (152.4 mm x 152.4 mm)		X
Explosion Proof Motor		X
Aluminum Drum Assembly		X
Vibrator Isolators		X
Inlet Adapter		X
Prefilter Trap		X
In-Cover Trap		X
In-Cover Impinger		X

FILTERS AND LINERS	STD	OPT
Throwaway Liner	X	
Primary Filter	X	
Secondary Filter	X	
Exhaust Grill Filter	X	
Sock Filter (In-Line Prefilter)		X
Carbon Filter		X
HEPA Filter (Fourth Stage)		X
PAINT SYSTEM		
Textured Multi-Coat Paint Finish with 2,000-Hour Salt Spray Performance	X	
Premium Duty Finish		X
Custom Colors, Materials, and Finishes		X
WARRANTY		
10-Year Warranty	X	

† Donaldson Torit equipment is designed to IBC guidelines for specific wind speed exposure and seismic spectral acceleration at grade level. Contact your Donaldson Torit representative for detailed information available on the equipment's Spec Control drawings. Equipment may be customized to meet unique, customer-specified site requirements.

Significantly improve the performance of your collector with genuine Donaldson Torit replacement filters and parts. **Call Donaldson Torit at 800-365-1331.**

### Important Notice

Many factors beyond the control of Donaldson can affect the use and performance of Donaldson products in a particular application, including the conditions under which the product is used. Since these factors are uniquely within the user's knowledge and control, it is essential the user evaluate the products to determine whether the product is fit for the particular purpose and suitable for the user's application. All products, product specifications, availability and data are subject to change without notice, and may vary by region or country.



Donaldson Company, Inc.  
Minneapolis, MN  
[donaldsontorit.com](http://donaldsontorit.com) • [shop.donaldson.com](http://shop.donaldson.com)

**North America**  
Email: [donaldsontorit@donaldson.com](mailto:donaldsontorit@donaldson.com)  
Phone: (USA): +1-800-365-1331 • (MX): +1-800-343-36-39

**Australasia**  
Email: [marketing.australia@donaldson.com](mailto:marketing.australia@donaldson.com)  
Phone: +61-2-4350-2000  
Toll Free: (AU) +1800-345-837 • (NZ) +0800-743-387

F118129 ENG (02/20) Centrifugal Mist Collectors ©2011-2020 Donaldson Company, Inc.

Donaldson, Torit and the color blue are marks of Donaldson Company, Inc. All other marks belong to their respective owners.

**China**  
Email: [info.cn@donaldson.com](mailto:info.cn@donaldson.com)  
Phone: +86-400-820-1038

**Donaldson Europe B.V.B.A.**  
Email: [IAF-europe@donaldson.com](mailto:IAF-europe@donaldson.com)  
Phone: +32-16-38-3811

**India**  
Email: [info.difs@donaldson.com](mailto:info.difs@donaldson.com)  
Phone: +91-124-4807-400 • +18001035018

**Japan**  
Email: [jp-ndli.ifsw@donaldson.com](mailto:jp-ndli.ifsw@donaldson.com)  
Phone: +81-42-540-4112

**Korea**  
Email: [iaf-kr@donaldson.com](mailto:iaf-kr@donaldson.com)  
Phone: +82-2-517-3333

**Latinoamerica**  
Email: [IndustrialAir@donaldson.com](mailto:IndustrialAir@donaldson.com)  
Phone: +52-449-300-2442

**South Africa**  
Email: [SAMarketing@donaldson.com](mailto:SAMarketing@donaldson.com)  
Phone: +27-11-997-6000

**Southeast Asia**  
Email: [IAFSEA@donaldson.com](mailto:IAFSEA@donaldson.com)  
Phone: +65-6311-7373